

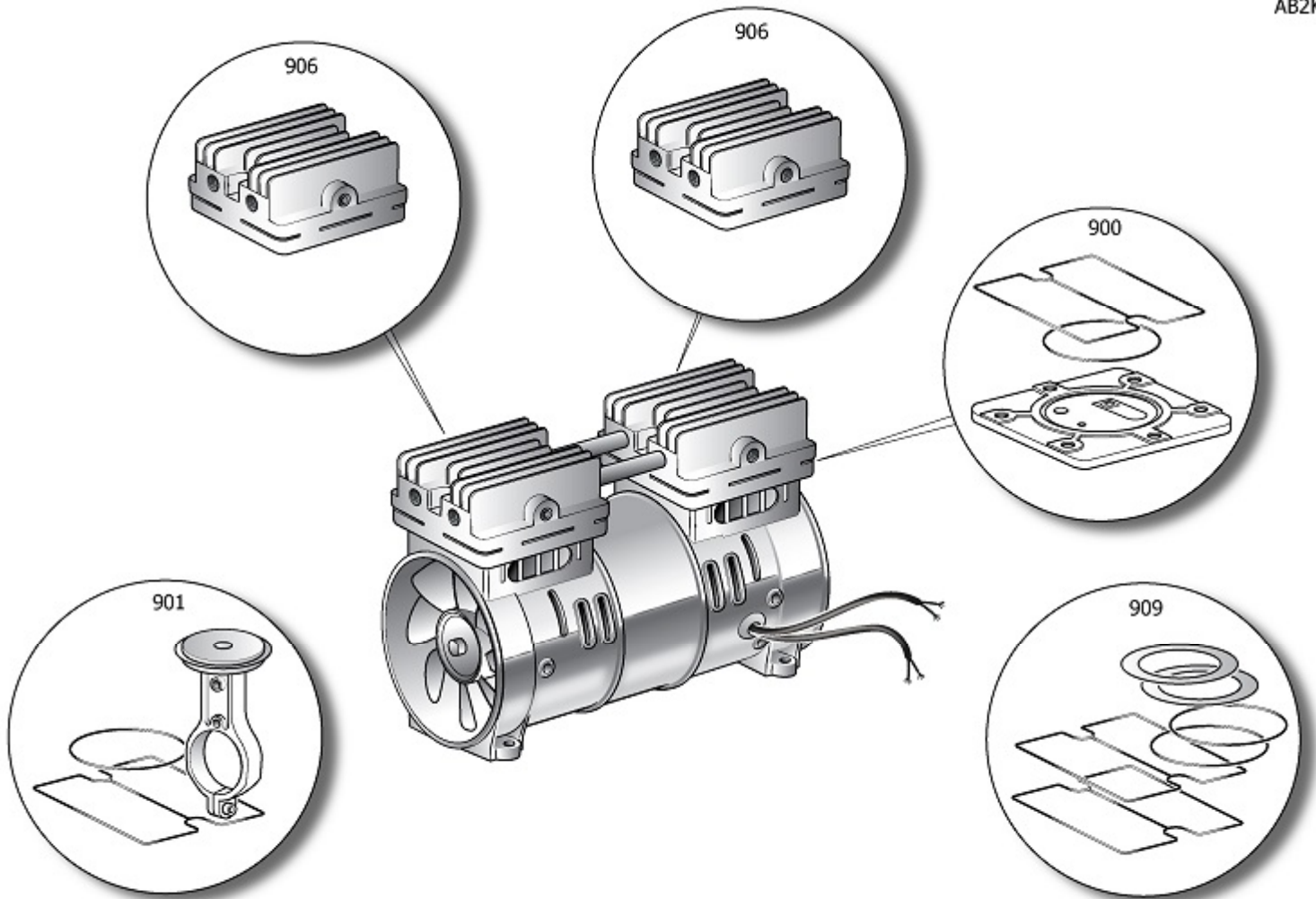


B2BP404NUA

SILTEK 24 P

| Pos | Component | MU | Multiplier | |
|-----|-----------|--------------------------|------------|-----|
| 23 | 9418051 | AIR FILTER ASSEMBLY | PZ | 2,0 |
| 80 | 9430825 | CONDENSER | PZ | 1,0 |
| 104 | 9083869 | GRIP | PZ | 1,0 |
| 110 | 9049190 | RELIEF VALVE | PZ | 1,0 |
| 131 | 9430837 | COMPLETE PRESSURE SWITCH | PZ | 1,0 |
| 132 | 9065376 | POWER CABLE | PZ | 1,0 |
| 200 | 9417830 | BARE PUMP | PZ | 1,0 |
| 300 | 9430864 | WHEELS/FEET MOUNTING KIT | PZ | 1,0 |
| 431 | 9417889 | CONTROL PANEL | PZ | 1,0 |
| 990 | 9430835 | KIT INSTRUMENTS | PZ | 1,0 |
| 991 | 9430822 | KIT SENDING PIPE | PZ | 1,0 |
| 992 | 9430833 | KIT NOT RETURN VALVE | PZ | 1,0 |

AB2KT





PUMP OL130S 2HP

BARE PUMP

| Pos | Component | | MU | Multiplier |
|-----|-----------|-------------------------------|----|------------|
| 900 | 9430807 | MPK VALVE PLATE Q2 1100W JW | PZ | 2,0 |
| 901 | 9430808 | MPK CONROD ASS.LY Q2 1100W JW | PZ | 2,0 |
| 906 | 9430809 | MPC HEAD LF Q2 1100W BLACK JW | PZ | 1,0 |
| 906 | 9430810 | MPC HEAD RG Q2 1100W BLACK JW | PZ | 1,0 |
| 909 | 9430811 | MPK GASKETS+SEALS Q2 1100W JW | PZ | 1,0 |